



SERIES 3000™ AUTOMATIC INSERTION PRESS



The new **PEMSERTER® Series 3000™** automatic fastener-installation press can install self-clinching fasteners up to 30% faster than traditional systems to deliver comparable productivity gains. **Full servo electromechanical actuation technology** provides significant improvement in operating consistency, improved reliability, increased efficiencies and minimized maintenance. Total elimination of hydraulic fluids provides an environmentally friendly system.

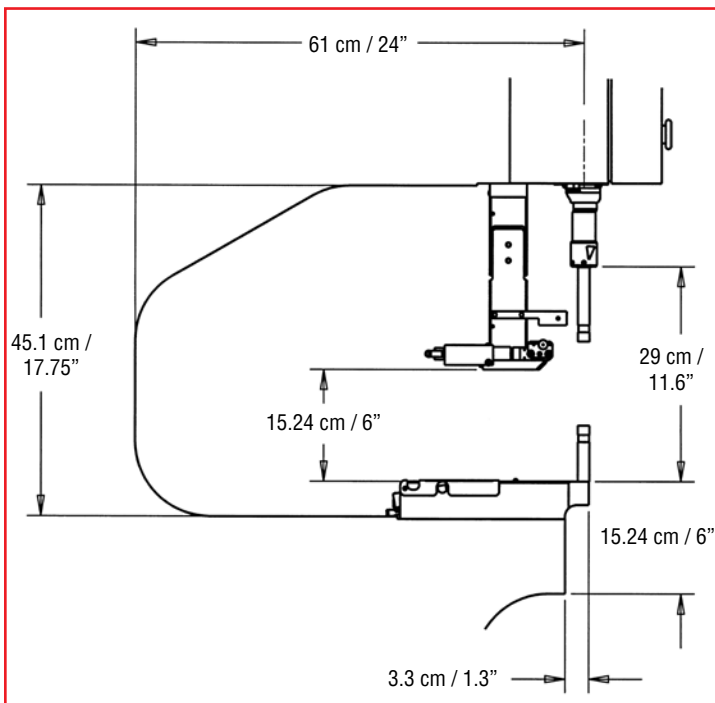
Featuring
**Full Servo Electromechanical
Actuation Technology**

Features and Benefits

- ▶ **Intelligent Set-up System (ISS).** Automatically determines insertion force requirements.
- ▶ **“Optimized Motion Profiles”.** Eliminates need for “dwell time” and provides optimal fastener insertion.
- ▶ **PC Based Programming.** Push button, menu driven, touch screen control system.
- ▶ **Robot Ready.** Press ships standard with robot interface.
- ▶ **Remote Monitoring.** Monitoring and troubleshooting through ethernet compatibility.
- ▶ **Data Logging.** Internal data for force and distance is measured and stored within the machine. Data collected can be downloaded to Windows operating platforms for QC documentation.
- ▶ **Multiple Pictures of Single Workpiece.** Digital pictures of workpiece for clarification of insertion points.
- ▶ **Multi Language Capable.**
- ▶ **Technical Video.** Pre-loaded on-screen video instructions for machine set-up and tooling changeover.



Press shown with optional auto-feed tooling package and optional motorized QX™ tooling.



Specifications

Ram Force	1.8 to 71.2 kN / 400 to 16,000 lbs.
Ram Drive	Servo Electromechanical Actuator
Electric Requirements	240-250VAC, 60Hz, 20A, single phase or 240-250VAC, 50Hz, 20A, single phase
Air Requirements*	6 to 7 BAR / 90 to 100 PSI 6 mm / 1/4" dia. minimum line flow
Throat Depth	61 cm / 24"
Height	208 cm / 82"
Width	92 cm / 36"
Depth	126 cm / 49.5"
Weight	1,235 kg / 2,725 lbs.

*1 psi = 0.07 bar. 1 bar = 14.5 psi.

The Series 3000 press introduces "clean" technology without hydraulics to install all types of self-clinching fasteners rapidly, accurately, and permanently. The electromechanical servo drive optimizes ram function to achieve ideal and repeatable speed and force for proper fastener installation.

Among features, PC-based programming interfaces with Windows operating platforms for job versatility and customization. Menu-driven touch-screen controls, descriptive screen alerts, and an on-screen multi-media instructional video contribute to user-

friendly operation and quick learning. Data logging capabilities allow for performance monitoring. A patented LIGHTSTREAM® Operator Safety System provides a continuous safeguard by ensuring ram force is applied only to fasteners.



Specifications subject to change without notice.
Check our website for the most current version of this bulletin.

© 2008, PennEngineering

PennEngineering®



North America: Danboro, PA USA • E-mail: info@pemnet.com • Tel: +1-215-766-8853 • Fax: +1-215-766-0143 • 800-237-4736 (USA Only)
Europe: Galway, Ireland • E-mail: europe@pemnet.com • Tel: +353-91-751714 • Fax: +353-91-753541
Asia/Pacific: Singapore • E-mail: singapore@pemnet.com • Tel: +65-6-745-0660 • Fax: +65-6-745-2400
 Shanghai, China • E-mail: china@pemnet.com • Tel: +86-21-5868-3688 • Fax: +86-21-5868-3988

Visit our PEMNET™ Resource Center at www.pemnet.com